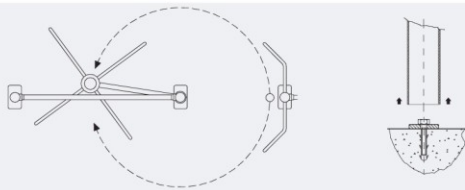
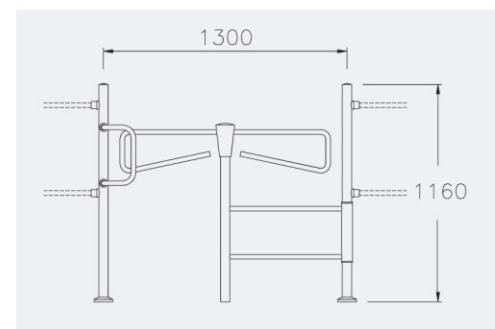


DIRECTION OF TURNSTILE ROTATION CAN BE REVERSED AS FOLLOWS :

- 1st. REMOVE COMPONENT "A"
- 2nd. PULL UPWARDS TO REMOVE TURNSTILE CROSSHEAD ARMS.
- 3rd. REMOVE SCREW "B"
- 4th. REVERSE POSITION OF COMPONENT "C"



TURNSTILE WILL BE RELEASED FROM THE FLOOR ATTACHMENT BY PULLING IT UPWARDS. SWING THE TURNSTILE TO ALLOW FREE ENTRANCE OF PRODUCTS.



ENTRY-EXIT DEVICES CODE

CTOR
27,0 kg.